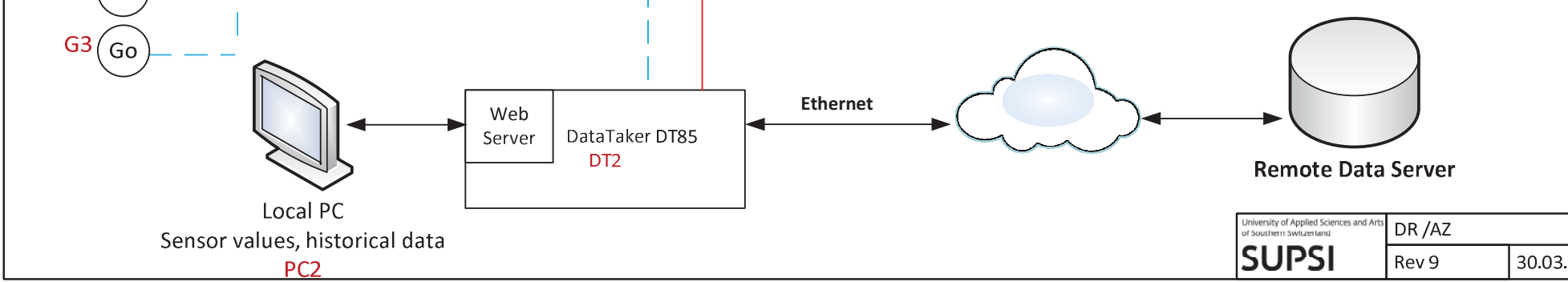
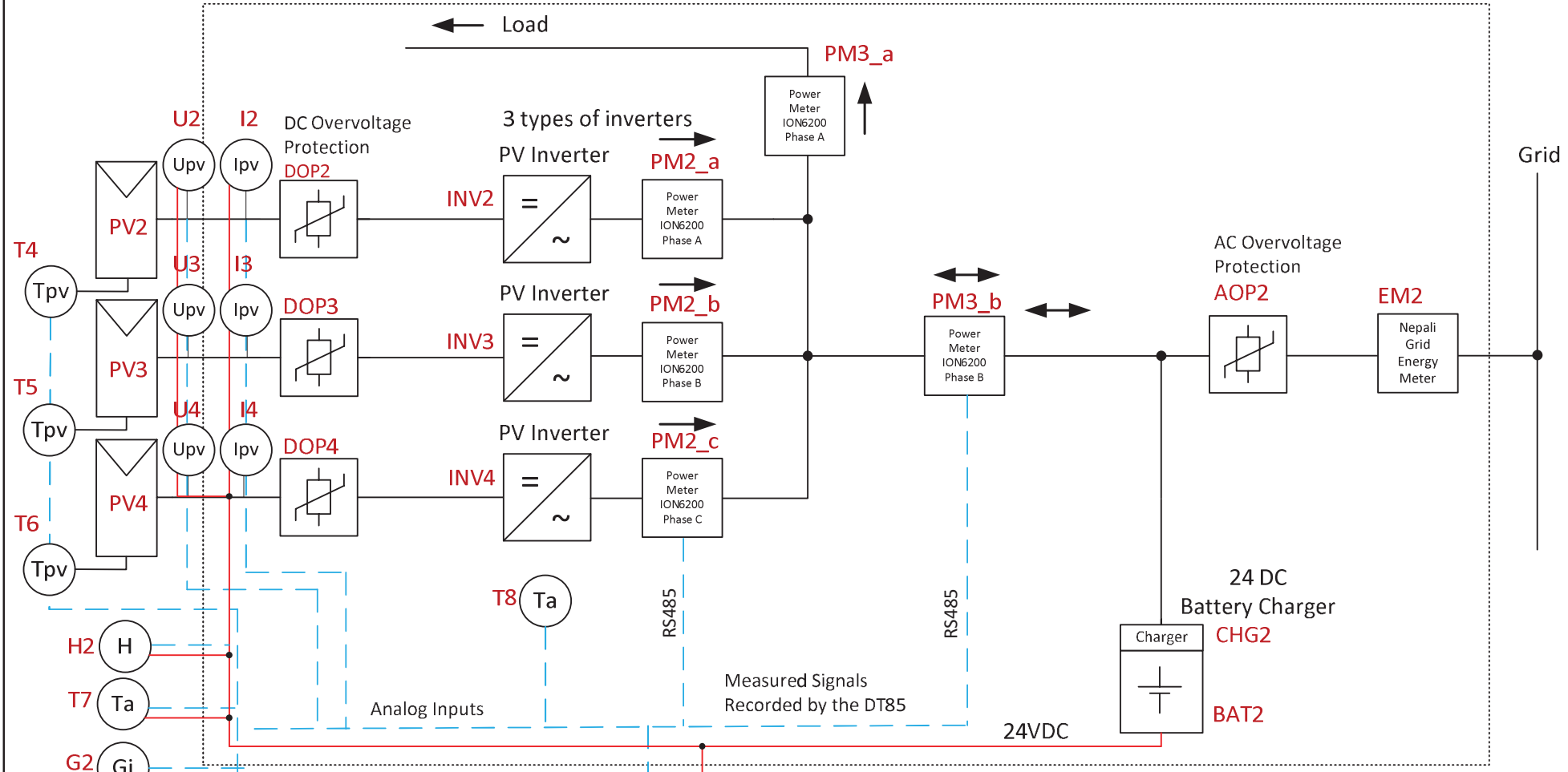


PV Plant 2 – 3x1kWp PV with connection to stable grid (without load shedding)



Local PC
Sensor values, historical data
PC2